



# **SPEED**®

## TRAVELLING TROLLEY

- **Compact Design**
- **Light Weight**

Established : 1964

Manufactured by:

**R. N. SURESH TOOLS CORPN.**

MUMBAI - 400 003.

email : [rnstools@hotmail.com](mailto:rnstools@hotmail.com)

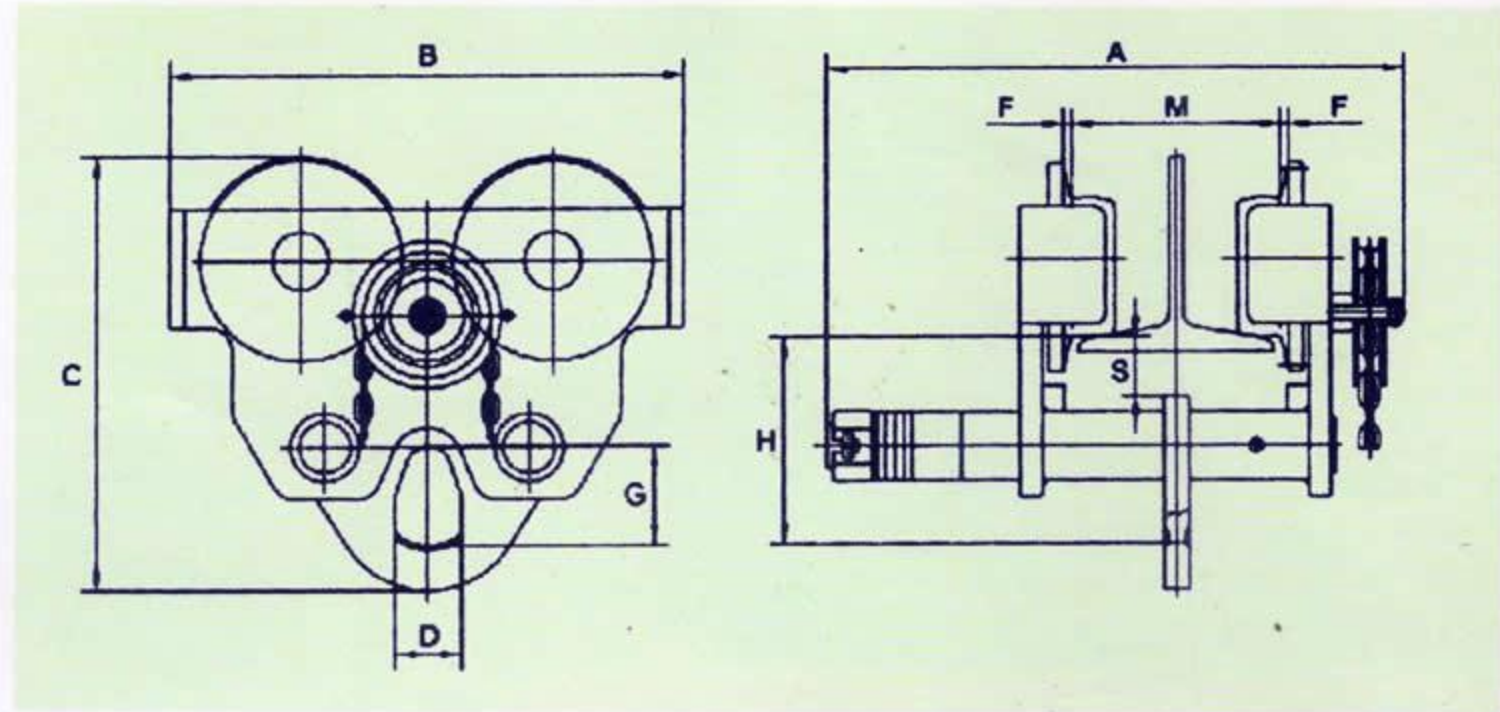
web site : [www.speedrns.com](http://www.speedrns.com)

**WARRANTY :**  
We Provide one year's  
Warranty against any  
manufacturing defects.  
Ex. Our works

Safe ✦ Reliable ✦ Durable

# **SPEED**® TRAVELING TROLLEY

**"SPEED"** Trolley Frame is made out of special steel Plates joined by bolts. The four flanged wheels are of special steel, with Machine Cut Gears and they are mounted on Ball Bearings, as desired. Suitable to run on lower flanges of 'I' Beam. All Trolleys are adjustable as per the required size of 'I' Beam, Each Trolley is tested to 50 % over load and a manufacturer's test certificate is issued.



## **SPECIFICATIONS**

Model T Series	Capacity Load (T)	Test Load (Kn)	Running Height (M)	Force (N)	Min Radius of Curve (M)	Dimensions (mm)										I beam width range (mm)		Net Weight (kg)	
						A										M		M	
						a	b	B	C	H	S	D	G	F	a	b	a	b	
GBB-0.5	0.5	7.35	2.5	25	0.8	270	322	194	176	75	30	28	32	1.5-3	50-152	50-203	10	10.5	
GBB-1	1	14.71	2.5	50	0.9	334	436	236	196	96	38	32	40	1.5-3	64-203	64-305	14.5	16	
GBB-1.5	1.5	22.06	2.5	70	1.0	337	439	250	210	102	38	36	4	1.5-3	74-203	74-305	18	20	
GBB-2	2	29.42	2.5	90	1.0	343	445	268	225	109	38	42	52	1.5-3	88-203	88-305	22	34	
GBB-3	3	44.13	2.5	95	1.2	357	459	322	266	124	40	52	63	1.5-3	100-203	100-305	34	38	
GBB-5	5	61.29	2.5	140	1.3	373	475	362	301	142	42	62	74	1.5-3	114-203	114-305	47	53	
GBB-8	8	98.06	2.5	200	2.0	400	502	426	388	195	45	72	110	2-3.5	124-203	124-305	77	83	
GBB-10	10	122.58	2.5	240	2.0	406	508	442	396	190	45	72	110	2-3.5	124-203	124-305	88	94	
GBB-16	16	196.12	2.5	240	3.5	498	602	555	498	236	65	95	135	2-3.5	136-203	136-305	163	170	
GBB-20	20	245.17	2.5	250	3.5	501	604	555	498	233	58	95	135	2-3.5	136-203	136-305	165	174	
GBB-30	30	367.74	2.5	250	6.0		674	710	608	285	65	105	155	2-3.5	-	175-305		337	
GBB-40	40	490.34	3	320	7.0		758	800	748	388	77	165	250	2-3.5	-	190-320		420	